

Pressure transmitter

For applications in hazardous areas

Model IS-3

WIKA data sheet PE 81.58



for further approvals
see page 8

Applications

- Chemical, petrochemical industry
- Oil, natural gas
- Machine building

Special features

- Measuring ranges from 0 ... 0.1 to 0 ... 6,000 bar
- Approved for use in hazardous areas per ATEX, IECEx and EAC
- Suitable for SIL 2 per IEC 61508/IEC 61511



Pressure transmitter model IS-3

- Fig. left:** With angular connector and flush process connection
- Fig. centre:** High-pressure version
- Fig. right:** With field case

Description

For the highest demands

The pressure transmitters of the IS-3 series are ideally suited to applications in hazardous areas. These pressure transmitters have been specifically designed for the highest industrial requirements and feature the ATEX, IECEx and EAC approvals as well as a SIL rating.

The model IS-3 pressure transmitter is available with measuring ranges up to 6,000 bar and is suitable for applications ranging from general machine building to high-pressure applications in the LDPE production.

Design

All wetted parts are manufactured from stainless steel and are fully welded. Internal sealing elements are completely avoided, so that the unit can be used with almost all media. The robust case is also made of stainless steel and provides a minimum ingress protection of IP 65. IP 68 versions are also available.

The process connections with flush diaphragm are particularly suitable for the measurement of viscous and contaminated media and ensure trouble-free pressure measurement at all times.

The optional field case of the model IS-3 enables operation in extreme environmental conditions and is resistant to acids, bases, oils and solvents. Via the field case connection integrated into the case's head, the electrical cabling can be installed quickly and easily.

Voltage supply

It is recommended that the intrinsically safe variants of the IS-3 series are powered via a suitable isolated barrier. An ideal voltage supply is offered by the model KFD2-STC4-EX1 isolated barrier, see "Accessories".

Measuring ranges

Gauge pressure								
bar	Measuring range	0 ... 0.1	0 ... 0.16	0 ... 0.25	0 ... 0.4	0 ... 0.6	0 ... 1	0 ... 1.6
	Overpressure limit	1.4	1.4	1.4	4.1	4.1	4.1	8.3
	Measuring range	0 ... 2.5	0 ... 4	0 ... 6	0 ... 10	0 ... 16	0 ... 25	0 ... 40
	Overpressure limit	8.3	19.3	41.4	41.4	82.8	82.8	80
	Measuring range	0 ... 60	0 ... 100	0 ... 160	0 ... 250	0 ... 400	0 ... 600	0 ... 1,000¹⁾
	Overpressure limit	120	200	320	500	800	1,200	1,500
psi	Measuring range	1,600^{1) 2)}	2,500^{1) 2)}	4,000^{1) 2)}	5,000^{1) 2)}	6,000^{1) 2)}		
	Overpressure limit	2,300	3,500	5,000	6,000	7,000		
	Measuring range	0 ... 3	0 ... 5	0 ... 10	0 ... 15	0 ... 20	0 ... 25	0 ... 30
	Overpressure limit	20	59	59	59	120	120	120
	Measuring range	0 ... 50	0 ... 60	0 ... 100	0 ... 150	0 ... 160	0 ... 200	0 ... 250
	Overpressure limit	279	279	600	600	1,200	1,200	1,200
	Measuring range	0 ... 300	0 ... 400	0 ... 500	0 ... 600	0 ... 750	0 ... 800	0 ... 1,000
	Overpressure limit	1,200	1,200	1,160	1,740	1,740	1,740	1,740
	Measuring range	0 ... 1,500	0 ... 2,000	0 ... 3,000	0 ... 4,000	0 ... 5,000	0 ... 6,000	0 ... 7,500
	Overpressure limit	2,900	4,600	7,200	7,200	11,600	11,600	17,400
Measuring range	0 ... 8,000	0 ... 10,000	0 ... 15,000					
Overpressure limit	17,400	17,400	21,700					

1) Only for instruments without flush process connection.

2) Only for instruments with ignition protection type Ex i. Not for instruments with SIL 2.

Absolute pressure								
bar	Measuring range	0 ... 0.25	0.8 ... 1.2	0 ... 0.4	0 ... 0.6	0 ... 1	0 ... 1.6	0 ... 2.5
	Overpressure limit	1.4	4.1	4.1	4.1	4.1	8.3	8.3
	Measuring range	0 ... 4	0 ... 6	0 ... 10	0 ... 16	0 ... 25		
	Overpressure limit	19.3	41.4	41.4	82.8	82.8		
psi	Measuring range	0 ... 5	0 ... 10	0 ... 15	0 ... 30	0 ... 60	0 ... 100	0 ... 160
	Overpressure limit	59	59	59	120	279	600	1,200
	Measuring range	0 ... 200	0 ... 300					
	Overpressure limit	1,200	1,200					

Vacuum and +/- measuring ranges						
bar	Measuring range	-1 ... 0	-1 ... +0.6	-1 ... +1.5	-1 ... +3	-1 ... +5
	Overpressure limit	4.1	8.3	8.3	19.3	41.4
	Measuring range	-1 ... +9	-1 ... +15	-1 ... +24		
	Overpressure limit	41.4	82.8	82.8		
psi	Measuring range	-15 inHg ... 0	-30 inHg ... 0	-30 inHg ... 15	-30 inHg ... 30	-30 inHg ... 60
	Overpressure limit	59	59	120	279	600
	Measuring range	-30 inHg ... 100	-30 inHg ... 160	-30 inHg ... 200	-30 inHg ... 300	
	Overpressure limit	600	1.20	1.20	1.20	

Other measuring ranges on request.

Output signal

Analogue signal

4 ... 20 mA

Permissible load in Ω

Model IS-3:

$\leq (\text{power supply} - 10 \text{ V}) / 0.02 \text{ A} - (\text{cable length in m} \times 0.14 \Omega)$

Model IS-3 with field case:

$\leq (\text{power supply} - 11 \text{ V}) / 0.02 \text{ A}$

For the test circuit signal of the IS-3 model with field case a load of $\leq 15 \Omega$ applies

Voltage supply

Power supply U+

Model IS-3: DC 10 ... 30 V

Model IS-3 with field case: DC 11 ... 30 V

Power consumption P_i (for ignition protection type Ex i)

800 mW (for group III 750/650/550 mW)

Reference conditions (per IEC 61298-1)

Temperature

15 ... 25 °C

Atmospheric pressure

860 ... 1,060 mbar

Humidity

45 ... 75 % r. h. (non-condensing)

Mounting position

Calibrated in vertical mounting position with process connection facing downwards.

Power supply

DC 24 V

Time response

Settling time

$\leq 2 \text{ ms}$

$\leq 10 \text{ ms}$ (for medium temperatures below -30 °C)

Accuracy specifications

Accuracy at reference conditions

Accuracy	
Standard	$\pm 0.50 \%$ of span
Option	$\pm 0.25 \%$ of span ¹⁾

¹⁾ Only for measuring ranges $\geq 0.25 \text{ bar}$ and $\leq 1,000 \text{ bar}$

Including non-linearity, hysteresis, zero offset and end value deviation (corresponds to measured error per IEC 61298-2).

Non-linearity (IEC 61298-2)

$\leq \pm 0.2 \%$ of span BFSL

Non-repeatability

$\leq \pm 0.1 \%$ of span

Mean temperature coefficient of zero point (0 ... 80 °C)

Measuring range $\leq 0.25 \text{ bar}$: $\leq \pm 0.4 \%$ of span/10 K

Measuring range $> 0.25 \text{ bar}$: $\leq \pm 0.2 \%$ of span/10 K

Mean temperature coefficient of span (0 ... 80 °C)

$\leq \pm 0.2 \%$ of span/10 K

Long-term stability at reference conditions

$\leq \pm 0.2 \%$ of span/year

Adjustability of zero point and span

Adjustment is made using potentiometers inside the instrument.

Zero point: $\pm 5 \%$

Span: $\pm 5 \%$

Process connections

Process connections, standard

Standard	Thread size	Max. nominal pressure (bar)	Overpressure limit (bar)
EN 837	G ¼ B	1,000	1,400
	G ½ B	1,000	1,800
	G ¾ B	1,000	1,400
DIN 3852-E	G ¼ A	600	600
	G ½ A	600	600
ANSI/ASME B1.20.1	¼ NPT	1,000	1,500
	½ NPT	1,000	1,500
SAE J514 E	7/16-20 UNF BOSS	600	600
	9/16-18 UNF BOSS	600	600
DIN 16288	M20 x 1.5	1,000	1,800
ISO 7	R ¼	1,000	1,600
	R ¾	1,000	1,400
JIS B7505-76	G ¼ B	1,000	1,000
-	G ½ B male / G ¼ female	1,000	1,400
	M20 x 1.5 female with sealing cone	6,000	15,000
	M16 x 1.5 female with sealing cone	6,000	10,000
	9/16-18 UNF female F250-C	6,000	10,000
	G ½ B flush	600	600
	G 1 B flush	1.6	10
	G 1 B flush, hygienic	25	50

Process connections for the optional medium temperatures (see page 6)

Standard	Thread size	Max. nominal pressure (bar)	Overpressure limit (bar)
EN 837	G ¼ B	400	800
	G ½ B	400	800
DIN 3852-E	G ¼ A	400	600
ANSI/ASME B1.20.1	½ NPT	400	800
ISO 7	R ¼	400	800
-	G ½ B flush	600 ¹⁾	600 ¹⁾
	G 1 B flush	1.6	10
	G 1 B flush, hygienic	25	50

1) Restrictions dependent on sealing material, see table "Sealing material restrictions for G½ B flush process connection"

Sealings

Process connection	Material	
	Standard	Option
EN 837	Copper	Stainless steel
DIN 3852-E	NBR ¹⁾	FKM/FPM ²⁾
SAE J514 E	NBR ¹⁾	FKM/FPM ²⁾
G ½ B flush	NBR ⁴⁾	FKM/FPM ⁴⁾ or FFKM ⁴⁾
G 1 B flush	NBR ¹⁾	FKM/FPM ²⁾
G 1 B flush, hygienic	EPDM ³⁾	-

1) Permissible temperature range: -20 ... +100 °C

2) Permissible temperature range: -15 ... +200 °C

3) Permissible temperature range: -40 ... +150 °C

4) See table "Sealing material restrictions for G ½ B flush process connection"

Except for sealings for process connections per EN 837 the sealings listed under "Standard" are included in the delivery.

Sealing material restrictions for G ½ B flush process connection

Material	Overpressure limit				
	T= -20 °C	T= +80 °C	T= +100 °C	T= +120 °C	T= +150 °C
NBR	600 bar	600 bar	600 bar	N/A	N/A
FKM/FPM	600 bar	600 bar	600 bar	400 bar	300 bar
FFKM	600 bar	600 bar	600 bar	600 bar	600 bar

T= Ambient temperature

N/A = Not applicable

Electrical connections

Available connections

see "Dimensions in mm"

For ignition protection type Ex nA

- Circular connector M16 x 0.75 acc. IEC 61076-2-106
- Cable outlet IP 67 with protection cap
- Cable outlet IP 68 (permanent use in the medium)

For ignition protection type Ex tc

- Cable outlet IP 67 with protection cap
- Cable outlet IP 68 (permanent use in the medium)

For measuring ranges > 1,000 bar

- Angular connector acc. to DIN EN 175301-803 A
- Circular connector M12 x 1 acc. to IEC 61076-2-101 A-COD
- Cable outlet IP 67
- Field case



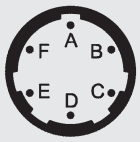
Reverse polarity protection

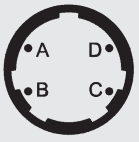
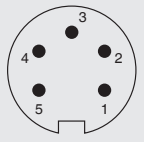
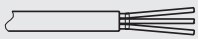
U₊ vs. U₋

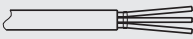
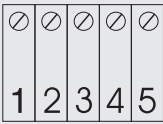
Insulation voltage

DC 500 V

Specifications

	Angular connector acc. to DIN 175301-803 A	Circular connector M12 x 1 acc. to IEC 61076-2-101 A-COD (4-pin)	Bayonet connector acc. to MIL-DTL-26482 (6-pin)
Connection diagram			
Assignment (2-wire)	U ₊ = 1 U ₋ = 2	U ₊ = 1 U ₋ = 3	U ₊ = A U ₋ = B
Cable shield			
Wire cross-section	max. 1.5 mm ²		
Cable diameter	6 ... 8 mm Ship approval: 10 ... 14 mm		

	Bayonet connector acc. to MIL-DTL-26482 (4-pin)	Circular connector M16 x 0.75 acc. to IEC 61076-2-106 (5-pin)	All cable outlets
Connection diagram			
Assignment (2-wire)	U ₊ = A U ₋ = B	U ₊ = 3 U ₋ = 1	U ₊ = brown U ₋ = green
Cable shield			grey
Wire cross-section			0.5 mm ²
Cable diameter			6.8 mm 7.5 mm (variants for permanent use in the medium)

	Cable outlet IP 67 with protection cap	Field case
Connection diagram		
Assignment (2-wire)	U ₊ = brown U ₋ = blue	U ₊ = 1 U ₋ = 2 Test ₊ = 3 Test ₋ = 4
Cable shield	Braid	5
Wire cross-section	0.34 mm ²	max. 1.5 mm ²
Cable diameter	5.5 mm	Cable gland Nickel-plated brass: 7 ... 13 mm Stainless steel: 8 ... 15 mm Plastic: 6.5 ... 12 mm

Operating conditions

Ingress protection (per IEC 60529)

The ingress protection depends on the respective electrical connection.

IP 65 ■ Angular connector acc. to DIN EN 175301-803 A

IP 67 ■ Circular connector M12 x 1 acc. to IEC 61076-2-101 A-COD

■ Circular connector M16 x 0.75 acc. to IEC 61076-2-106

■ Cable outlet IP 67

■ Cable outlet IP 67 with protection cap (precondition: avoidance of water accumulation in the protection cap)

■ Bayonet connector acc. to MIL-DTL-26482

IP 68 ■ Cable outlet IP 68 cable gland (72 h / 300 mbar)

■ Cable outlet IP 68 (permanent use in the medium, max. pressure 2 bar)

IP 69K ■ Field case

Ignition protection types

■ II 1G Ex ia IIA T4/T5/T6 Ga

■ II 1/2G Ex ia IIC T4/T5/T6 Ga/Gb

■ II 3G Ex ic IIC T4/T5/T6 Gc

■ II 1D Ex ia IIIC T135 °C Da

■ II 1/2D Ex ia IIIC T135 °C Da/Db

■ I M1 Ex ia I Ma

■ II 3G Ex nA IIC T4/T5/T6 Gc

■ II 3D Ex tc IIIC T90 °C Dc

Vibration resistance

(per IEC 60068-2-6, vibration under resonance)

■ Model IS-3: 20 g

■ Model IS-3 with field case and cable outlet IP 67 with protection cap: 10 g

■ Measuring ranges > 1,000 bar and optional medium temperature ranges: 5 g

■ Field case with optional medium temperature range: 2 g

Shock resistance

(per IEC 60068-2-27, mechanical shock)

■ Model IS-3: 1,000 g

■ Model IS-3 with field case: 600 g

■ Measuring ranges > 1,000 bar, optional medium temperature ranges and cable outlet IP 67 with protection cap: 100 g

■ Field case with optional medium temperature range: 50 g

Permissible temperature ranges for operation in accordance with the data sheet specifications (for ignition protection type Ex i)

Medium	
Standard	-20 ... +80 °C
Option 1	-20 ... +150 °C (only for flush process connections and measuring ranges ≤ 600 bar)
Option 2	-40 ... +150 °C (only for process connections with pressure port and measuring ranges ≤ 400 bar)
Option 3	-40 ... +200 °C (only for process connections with pressure port and measuring ranges ≤ 400 bar)
Oxygen	-20 ... +60 °C

■ Ambient: -20 ... +80 °C

- Cable outlet IP 68 (permanent use in the medium), PUR cable: -15 ... +70 °C

- Cable outlet IP 68 (permanent use in the medium), FEP cable: -15 ... +80 °C

■ Storage: -20 ... +80 °C

Permissible temperature ranges for operation in accordance with the data sheet specifications (for ignition protection types Ex nA and Ex tc)

- Medium: -15 ... +70 °C (with oxygen -15 ... +60 °C)
- Ambient: -15 ... +70 °C
- Storage: -15 ... +70 °C

Maximum ambient and medium temperatures for safe operation, for medium temperatures ≤ 105 °C (for ignition protection type Ex i)

94/9/EC (ATEX)	EPL	Group	Ambient and medium temperatures (°C)	Temperature class / surface temperature
1/2G 3G	Ga/Gb Gc	IIC	-20 ≤ Ta ≤ +60 -20 ≤ Ta ≤ +70 -20 ≤ Ta ≤ +70	T6 T5 T4

Maximum ambient and medium temperatures for safe operation, for process connections with pressure port and medium temperatures >105 °C (for ignition protection type Ex i)

Temperature class	Max. medium temperature (°C)	Max. ambient temperature (°C)
T2	200	40
T3	195	45
	175	50
	155	50
	135	50
T4	130	50
	110	50
	105	50

Maximum ambient and medium temperatures for safe operation, for flush process connections and medium temperatures >105 °C (for ignition protection type Ex i)

Temperature class	Max. medium temperature (°C)	Max. ambient temperature (°C)
T3	150	20
	135	50
T4	130	50
	110	50
	105	50

Maximum ambient and medium temperatures (for ignition protection types Ex nA and Ex tc)

94/9/EC (ATEX)	EPL	Group	Ambient and medium temperatures (°C)	Temperature class / surface temperature
3G	Gc	IIC	-15 ≤ Ta ≤ +55 -15 ≤ Ta ≤ +70 -15 ≤ Ta ≤ +70	T6 T5 T4
3D	Dc	IIIC	-15 ≤ Ta ≤ +70	T90 °C

The exact differentiation of EPLs and temperature ranges for safe operation is given in the operating instructions.

Materials

The materials used meet the requirements of the RoHS directive 2011/65/EU, with the exception of the following instrument variants:

- Electrical connection via bayonet connector
- Measuring ranges > 1,000 bar

Wetted parts

Stainless steel, for sealing materials see "Process connections"
Where the medium is hydrogen, contact the manufacturer.

Non-wetted parts

- Case: Stainless steel
- Angular connector acc. to DIN EN 175301-803 A: PA6
- Circular connector M12 x 1 adjustable: PA6, stainless steel
- Circular connector M12 x 1 not adjustable: Stainless steel
- Circular connector M16 x 0.75 adjustable: PA6, stainless steel, Zn nickel-plated
- Circular connector M16 x 0.75 not adjustable: Stainless steel, Zn nickel-plated
- Bayonet connector adjustable: PA6, stainless steel, Al cadmium-plated
- Bayonet connector not adjustable: Stainless steel, Al cadmium-plated
- Cable outlet IP 67: PA6, stainless steel, nickel-plated brass
- Cable outlet IP 67 with protection cap: Stainless steel, PA66/6-FR
- Cable outlet IP 68 cable gland: Stainless steel, nickel-plated brass
- Cable outlet IP 68: Stainless steel
- Field case: Stainless steel, nickel-plated brass / stainless steel / PA
- Internal pressure transmission medium
 - No oxygen application: Synthetic oil
 - Oxygen application: Halocarbon oil
 - Instruments with measuring range > 25 bar: Dry measuring cell

CE conformity

Pressure equipment directive

97/23/EC

EMC directive

2004/108/EC, EN 61326 emission (group 1, class B) and interference immunity (industrial application)
During interference consider an increased measuring deviation of up to 1 %.

ATEX directive

94/9/EC

Approvals

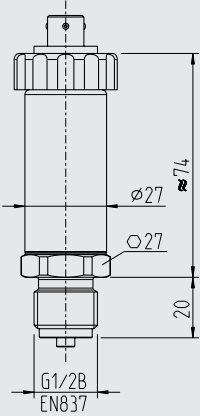
- **IECEX**, international certification for the Ex area
- **EAC**, certification for the Ex area, Russia
- **EAC**, import certificate, Eurasian Economic Community
- **SIL 2**, functional safety
- **3-A**, food, USA
- **GL**, ships, shipbuilding (e.g. offshore), Germany

Approvals, see website

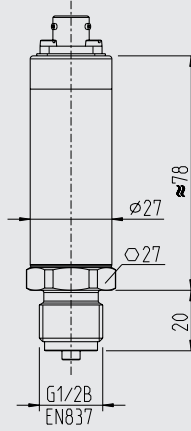
Dimensions in mm

Pressure transmitter

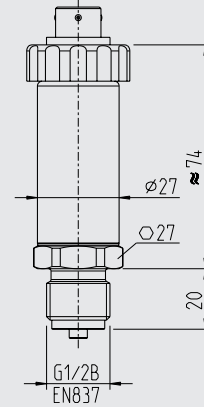
Bayonet connector
acc. to MIL-DTL-26482
(4-pin) adjustable



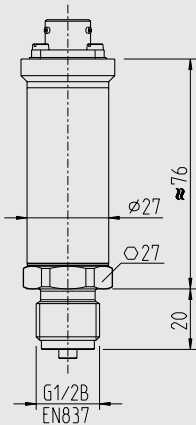
Bayonet connector
acc. to MIL-DTL-26482
(4-pin) not adjustable



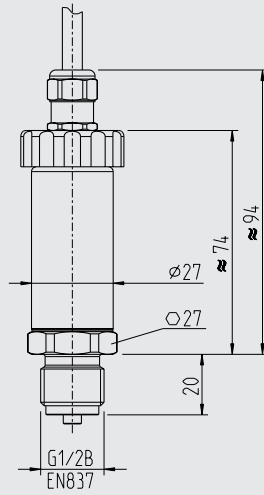
Bayonet connector
acc. to MIL-DTL-26482
(6-pin) adjustable



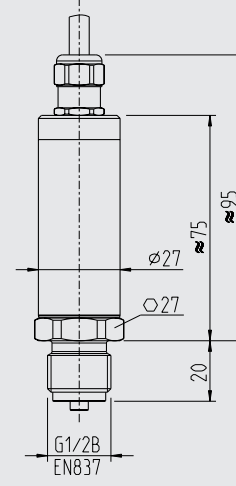
Bayonet connector
acc. to MIL-DTL-26482
(6-pin) not adjustable



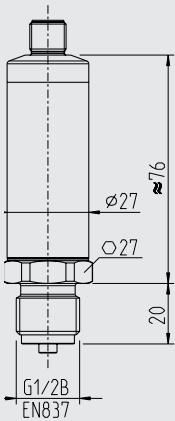
Cable outlet IP 67
adjustable



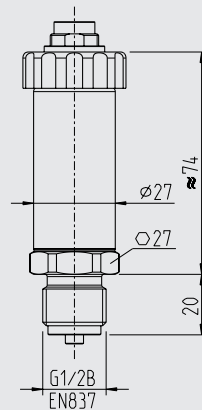
Cable outlet IP 68
Cable gland
not adjustable



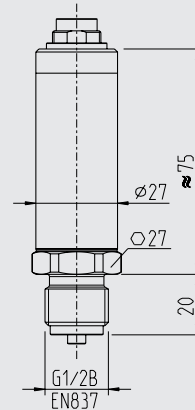
Circular connector M12 x 1
acc. to IEC 61076-2-101 A-COD
(4-pin) not adjustable



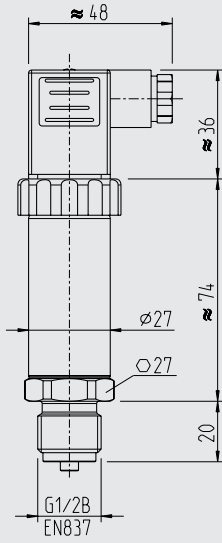
Circular connector M16 x 0.75
acc. to IEC 61076-2-106
(5-pin) adjustable



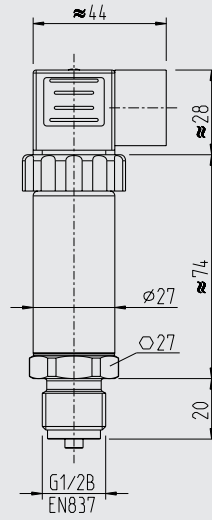
Circular connector M16 x 0.75
acc. to IEC 61076-2-106
(5-pin) not adjustable



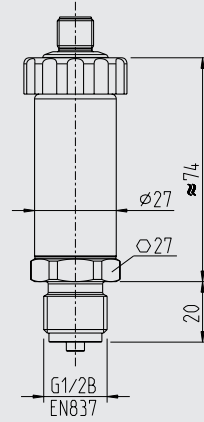
Angular connector
acc. to DIN EN 175301-803-A PG 9
adjustable



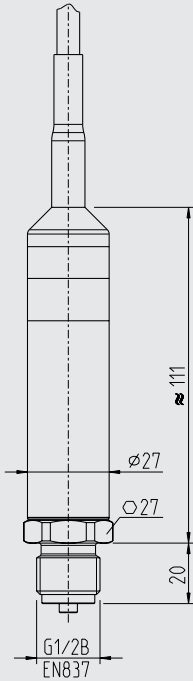
Angular connector
acc. to DIN 175301-803 A 1/2 NPT
adjustable



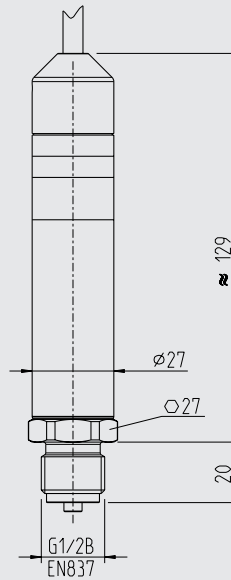
Circular connector M12 x 1
acc. to IEC 61076-2-101 A-COD
(4-pin)
adjustable



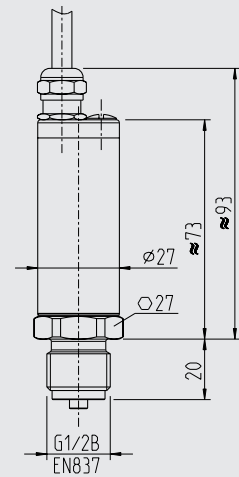
Cable outlet IP 68 PUR
(permanent use in the medium)
not adjustable



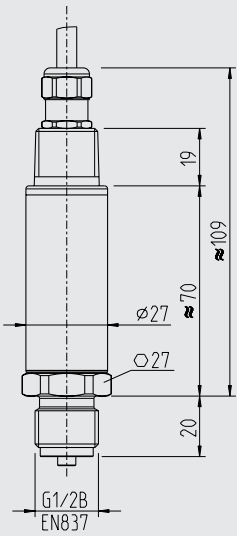
Cable outlet IP 68 FEP
(permanent use in the medium)
not adjustable



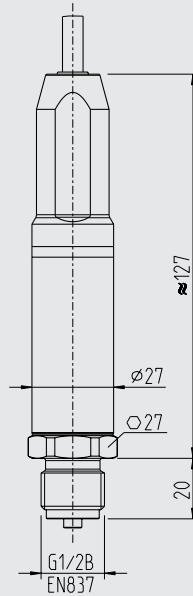
Cable outlet IP 68
Cable gland
adjustable



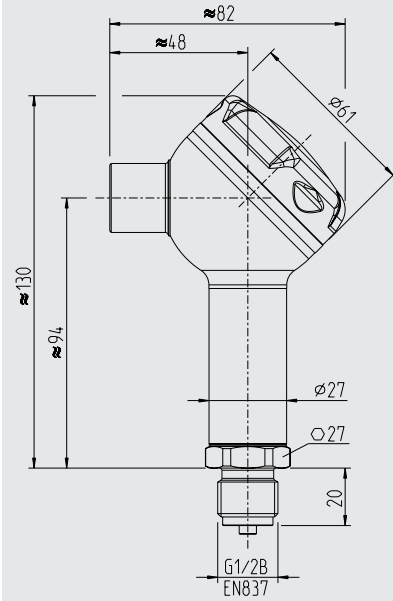
Cable outlet IP 68
Cable gland conduit ½ NPT
not adjustable



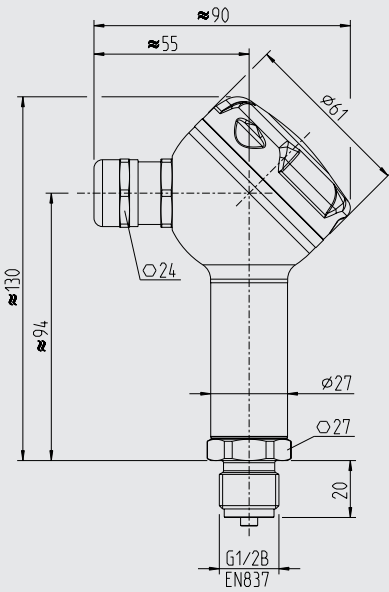
Cable outlet IP 67 with protection cap
not adjustable



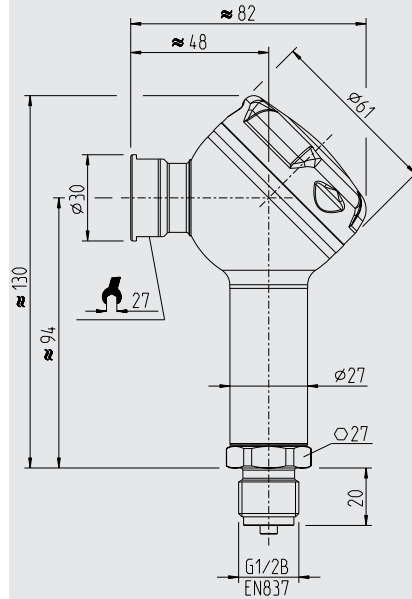
Field case
Conduit ½ NPT-I
adjustable



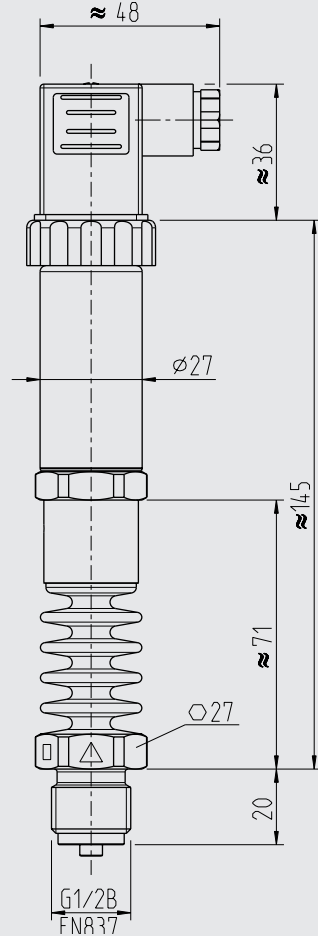
Field case
Cable gland
adjustable



Field case
Conduit M 20 x 1.5-I
adjustable

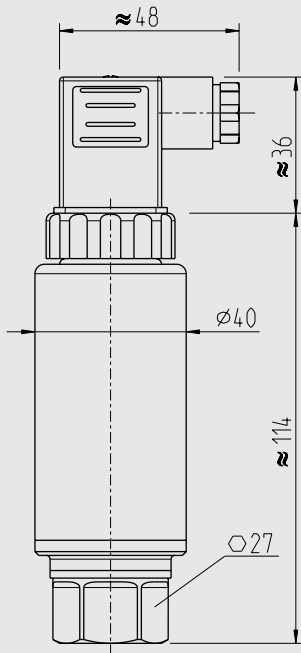


IS-3 for optional medium temperature ranges -40 ... +150 °C and -40 ... +200 °C

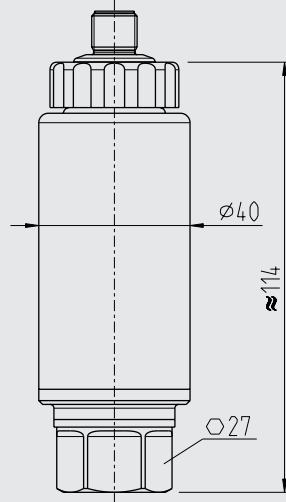


Pressure transmitters in high-pressure version

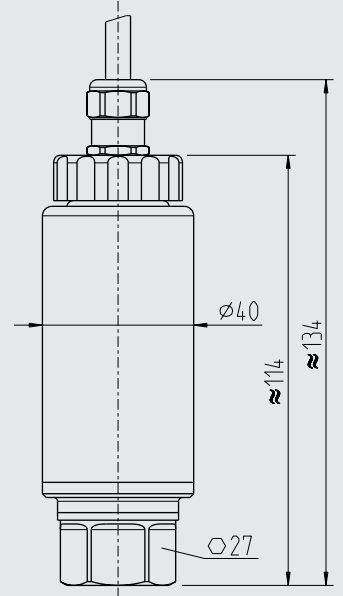
Angular connector
acc. to DIN EN 175301-803-A PG 9
adjustable



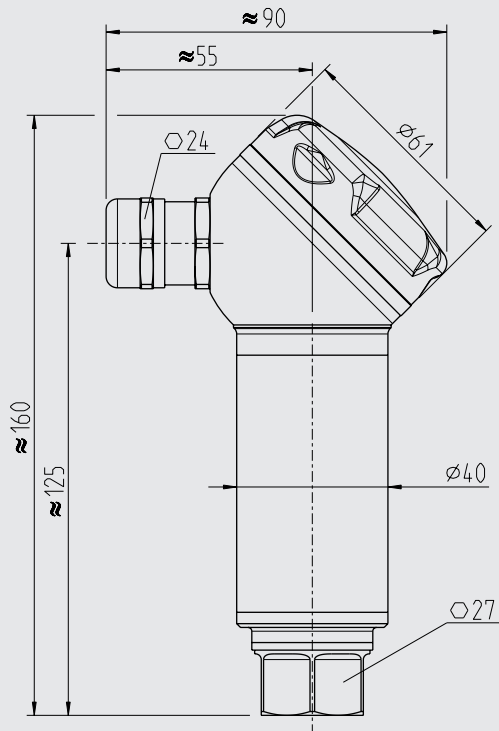
Circular connector M12 x 1
acc. to IEC 61076-2-101 A-COD
(4-pin)
adjustable



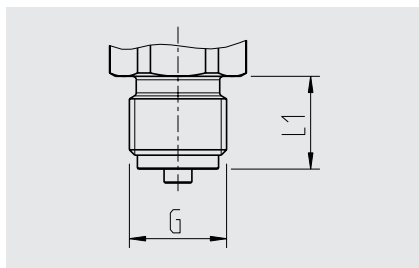
Cable outlet IP 67
adjustable



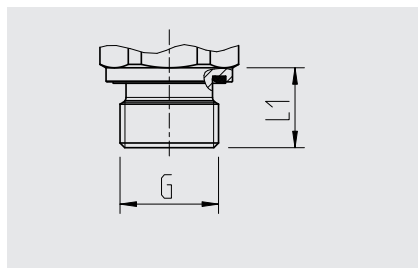
Field case
Cable gland
adjustable



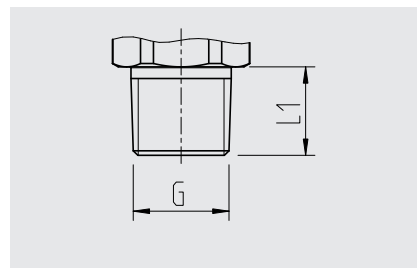
Process connections



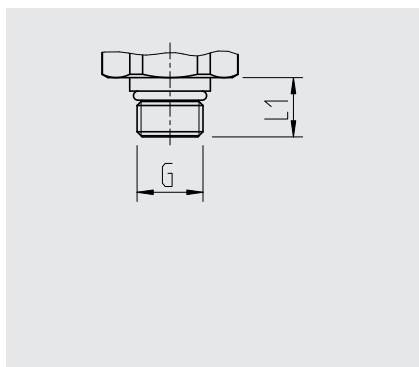
G	L1
G ¼ B EN 837	13
G ½ B EN 837	20
G ¾ B EN 837	16
M20 x 1.5 DIN 16288	20



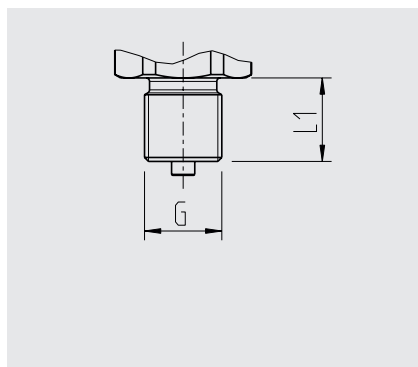
G	L1
G ¼ A DIN 3852-E	14
G ½ A DIN 3852-E	17



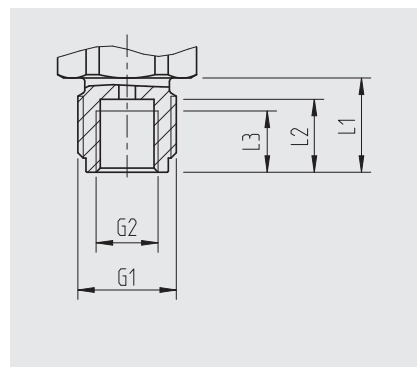
G	L1
¼ NPT	13
½ NPT	19
R ¼	13
R ¾	15



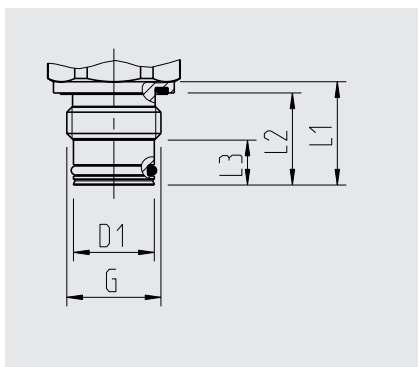
G	L1
7/16-20 UNF BOSS	12.06
9/16-18 UNF BOSS	12.85



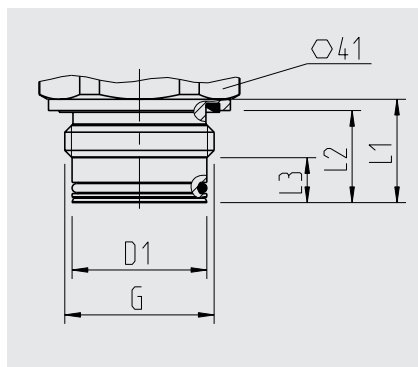
G	L1
G ¼ B JIS B 7505-76	16



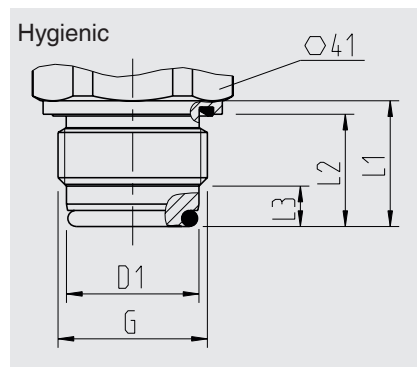
G1	G2	L1	L2	L3
G ½ B	G ¼	20	15.5	13



G	L1	L2	L3	D1
G ½ B	23	20.5	10	18

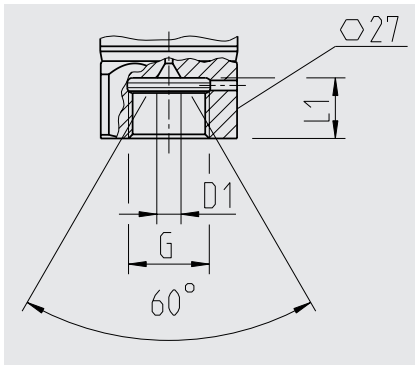


G	L1	L2	L3	D1
G 1 B	23	20.5	10	30

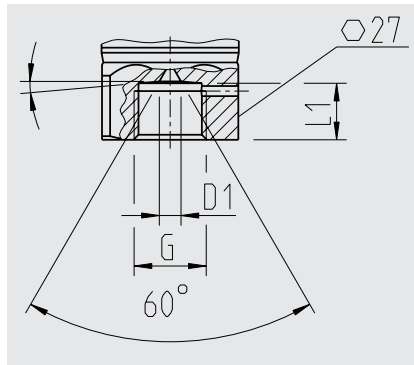


G	L1	L2	L3	D1
G 1 B	28	25	9	29.5

Process connections for measuring ranges > 1,000 bar

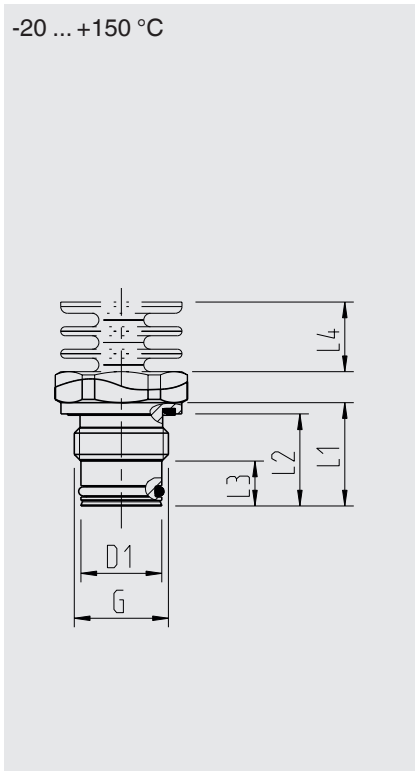


G	L1	D1
M16 x 1.5	12	4.8
M20 x 1.5	15	4.8

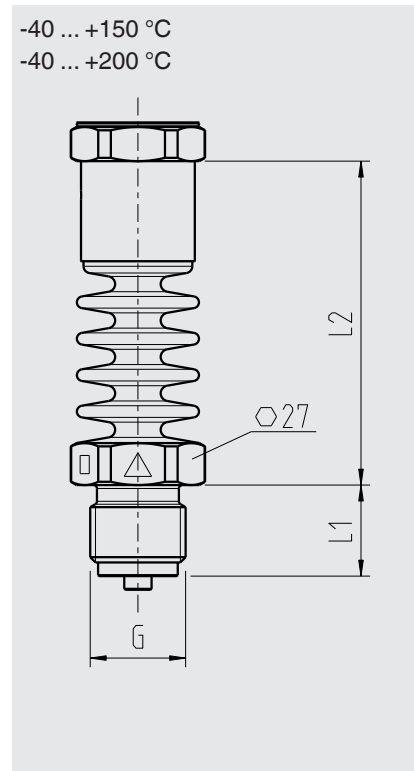


G	L1	D1
9/16-18 UNF F250-C	11.2	4.3

Process connections for optional medium temperature ranges



G	L1	L2	L3	L4	D1
G ½ B	23	20.5	10	15.5	18
G 1 B	23	20.5	10	15.5	30



G	L1	L2
G ½ B	20	71

For information on tapped holes and welding sockets, see Technical information IN 00.14 at www.wika.com.

Accessories and spare parts

Mating connector (for ignition protection type Ex i)

Designation	Order number
Angular connector DIN EN 175301-803 A	
■ with cable gland, metric, with 2 m moulded cable	11225793
■ with cable gland, metric, with 5 m moulded cable	11250186
Circular connector M12 x 1	
■ angled version, 4-pin, IP 67, for self-assembly	2421270
■ straight version, 4-pin, IP 67, for self-assembly	2421262

Sealings for mating connectors

Description	Order number	
	Blue (WIKÄ)	Brown (neutral)
Angular connector DIN 175301-803 A	1576240	11437902

Sealings for process connection

Process connection	Order number			
	Copper	Stainless steel	NBR	FKM
G ¼ B EN 837	11250810	11250844	-	-
G ½ B EN 837	11250861	11251042	-	-
M20 x 1.5 DIN 16288	11250861	11251042		
G ¼ A DIN 3852-E	-	-	1537857	1576534
G ½ A DIN 3852-E	-	-	1039067	1039075

Isolated barriers

Description	Order number
Isolated barrier KFD2-STC4-Ex1	2341268

Ordering information

Model / Measuring range / Accuracy / Process connection / Sealing / Electrical connection / Temperature range of medium

© 2015 WIKÄ Alexander Wiegand SE & Co. KG, all rights reserved.
The specifications given in this document represent the state of engineering at the time of publishing.
We reserve the right to make modifications to the specifications and materials.

